



SJ86 T

TELESCOPIC BOOM

STANDARD FEATURES

- Axle based 4WD system
- Operator controlled locking rear differential and limited slip front differential
- Oscillating axle
- Drivable at full height
- Dual capacity rating
- 45% Gradeability
- 65 hp Deutz diesel engine
- Swing out engine tray
- Swing up cowlings
- Modular platform railing system
- Tri-entry sliding mid rail
- Wiring for AC outlet on platform
- EasyDrive™ direction sensing drive and steer controls
- Proportional controls
- Relay based control system
- Colour coded and numbered wiring
- 360° Continuous turret rotation
- Hourmeter
- Operator horn
- Flashing light
- All motion alarm
- Overload sensing system
- 7.5 kW Generator (includes hydraulic oil cooler)
- Tie down points
- Wet disc SAHR brakes (front and rear axle)
- 18 x 625 Grip lug foam-filled non-marking tyres
- Secondary guarding electrical (SGE)

ACCESSORIES AND OPTIONS

- 0.91 x 1.83 m Platform
- Half-height mesh platform (either size)
- Diesel scrubber
- Hydraulic oil cooler
- 1/2" Airline to platform
- Glazier kit
- Pipe rack
- Tool caddy
- Rear gate
- Bio oil
- Auxiliary top rail (0.91 x 2.44 m platform only)
- Platform work lights
- Hostile environment package (Includes cylinder bellows, boom wipers, covers for the fly boom cutouts, and control box cover)
- Control box cover
- Lifting lugs

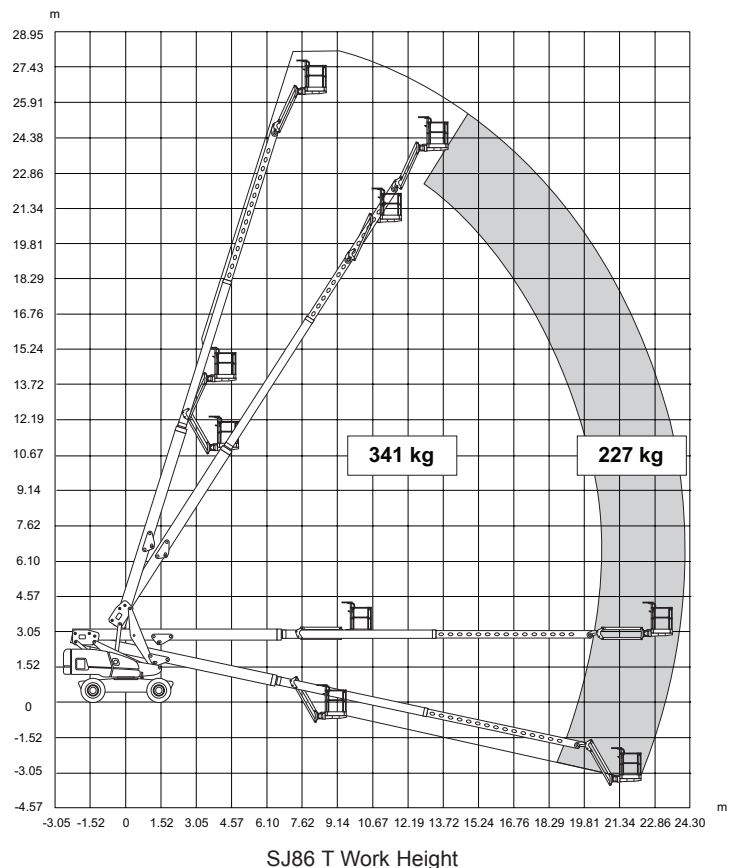
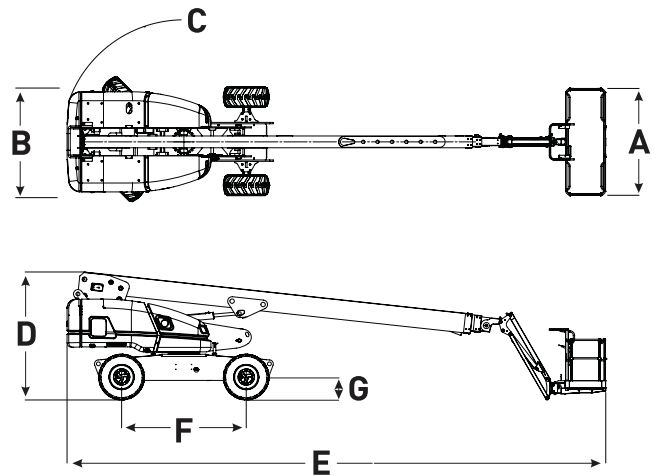
† Standard lead times may be increased when optional equipment is added, consult factory.

‡ Capacities, and machine weights may differ when options are added.

SJ86 T TELESCOPIC BOOM

Dimensions	SJ86T
Work Height	28.21 m
Platform Height	26.21 m
Horizontal Reach	23.42 m
A Platform Size	0.91 x 2.44 m
B Stowed Width	2.49 m
C Tailswing	1.42 m
D Stowed Height	3.00 m
E Stowed Length	12.95 m
F Wheelbase	3.35 m
G Ground Clearance	0.41 m

Specifications	SJ86T
Rotation	360° Continuous
Platform Rotation	170°
Jib Length	1.68 m
Jib Range +/-	+65° / -60°
Weight	17,550 kg
Gradeability	45%
Turning Radius (Inside)	6.22 m
Turning Radius (Outside)	7.19 m
Axle Oscillation	10.16 cm
Drive Speed (High speed)	4.8 km/h
Capacity	227 kg / 341 kg
Local Floor Load (With Rated Load)	12.34 kg/sq cm
Overall Floor Load (With Rated Load)	1,632 kg/sq m
Maximum # of Persons	2/3
Tyre Type	Foam-filled NM
Tyre Size	18-625
Diesel Engine	Deutz D2011L04i - 65 HP (48 KW)
Fuel Tank Capacity	170 L
Hydraulic Reservoir	227 L



Skyjack Australia Pty Ltd
 Unit 1, 35 Honeycomb Drive
 Eastern Creek
 NSW 2766
 Australia
 Phone +61 (0) 2 9854 0700
 Fax +61 (0) 2 9854 0777
 Email: jcranmer@skyjack.com

www.skyjack.com

This brochure is for illustrative purpose only and based on the latest information at the time of printing. Skyjack Inc. reserves the right to make changes at any time, without notice, to specifications, standard and optional equipment. Consult the Operating Maintenance and Parts Manuals for proper procedures. AS marked platforms are in conformance to Standard AS/NZS 1418.10:2011.